

Model PSB

Voltage Output Pressure Transducer

Description

PSB designed for all industry which is compact pressure transducer. Precise measurement is available with a semiconductor pressure cell. Inner amplification circuit applies to various control equipment.

Features

- ▶ 1~5VDC output
- ▶ Measuring range 0~3.5MPa
- ▶ 0.5%FS accuracy
- ▶ Gauge and absolute measurement
- ▶ Piezoresistive silicon cell
- ▶ Stainless steel, Brass media-wetted materials

Applications

- ▶ Process control
- ▶ Hydraulics & Pneumatic
- ▶ Compressor Control
- ▶ Chillers
- ▶ Refrigeration Equipment



Specifications

Range

0 ~ 20, 30, 50, 100, 200, 300, 500, 700kPa / 2, 3.5MPa(Gauge)
0 ~ 100, 200, 300, 500, 700kPa / 2, 3.5MPa (Absolute)

Performance

Accuracy	±0.5%FS(RSS)
Thermal Effect on Zero	±0.5%FS/°C
Thermal Effect on Span	±0.5%FS/°C
Compensated Temperature Range	-10 ~ 70°C
Operating Temperature Range	-20 ~ 80°C

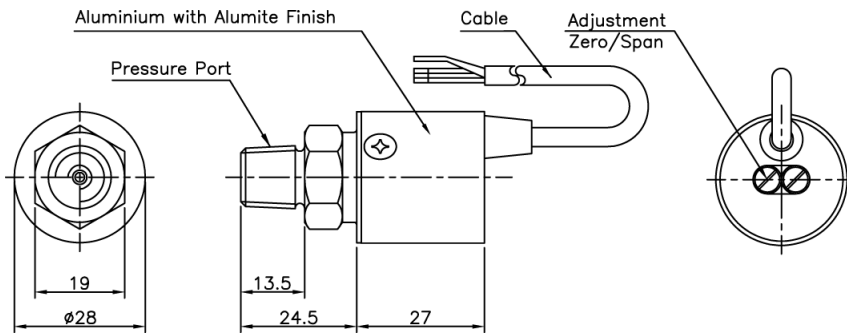
Electrical

Excitation	11 ~ 28VDC
Output	1~5VDC
Electrical Connection	Cable

Physical

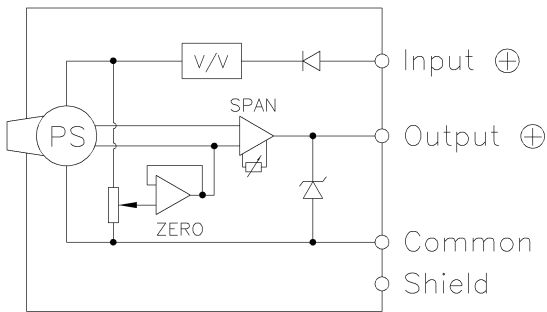
Proof Pressure	300%FS Max.
Burst Pressure	400%FS Min.
Vibration	49.1m/s ² {5G}, 10~500Hz
Shock	490m/s ² {50G}
Pressure port	R(PT)1/4"(Stock), G(PF)1/4"
Media-Wetted Materials	Brass(Ni Plated), Stainless Steel 316L, VITON
Weight	Approx. 100g

Dimension



Wire Color	Connections
Red	Input ⊕
White	Common ⊖
Green	Output ⊕
Shield	Earth

Internal Circuit Diagram



Ordering Information

