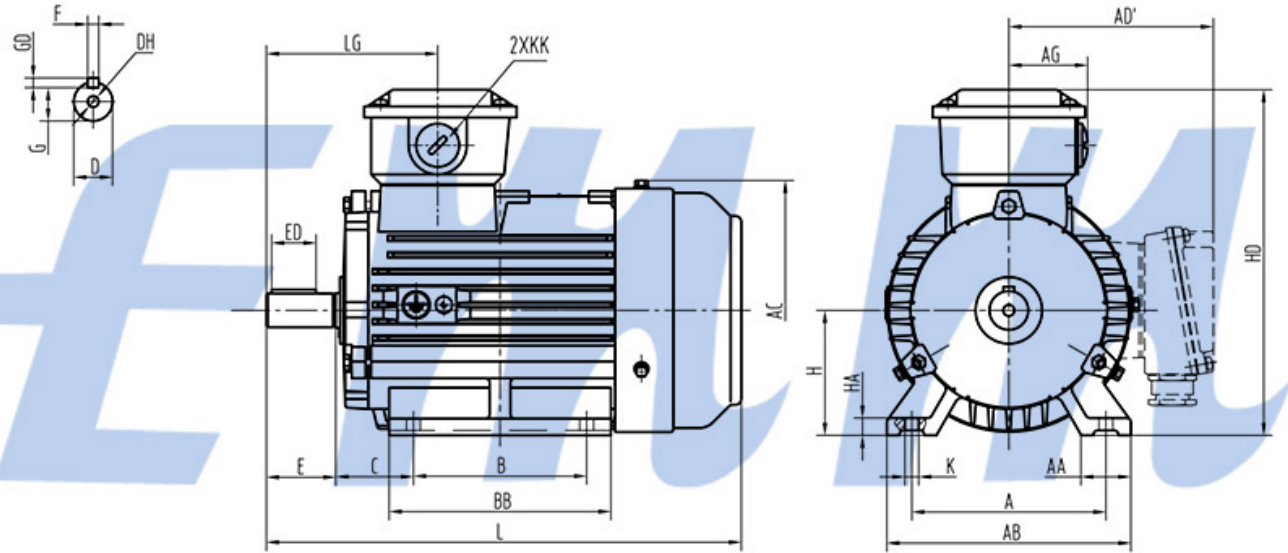


Frequency	50
Pole	2
Output (KW)	0.55
Output (HP)	0.75
Speed (rpm)	2760
FLC 380V (A)	1.49
FLC 400V (A)	1.42
FLC 415V (A)	1.37
Locked Rotor Current	6
Efficiency	71
Power Factor	0.79
Rated Torque (Nm)	1.9
Locked Rotor Torque	2.2
Breakdown Torque	2.4
Moment of Inertia (kgm <sup>2</sup> )	0.0004
Noise (dbA)	64
Weight (Kg)	6.14



### Dimension \*All dimensions in mm

### Mounting Type: B3

B3 Foot Mounting						Shaft				General					
H	A	B	BB	C	K	D	E	F	G	AB	AD	HD	AC	L	KK
71	112	90	105	45	7 x 10	Φ14	30	5	11	132	115	186	Φ147	241	1-M20x1.5