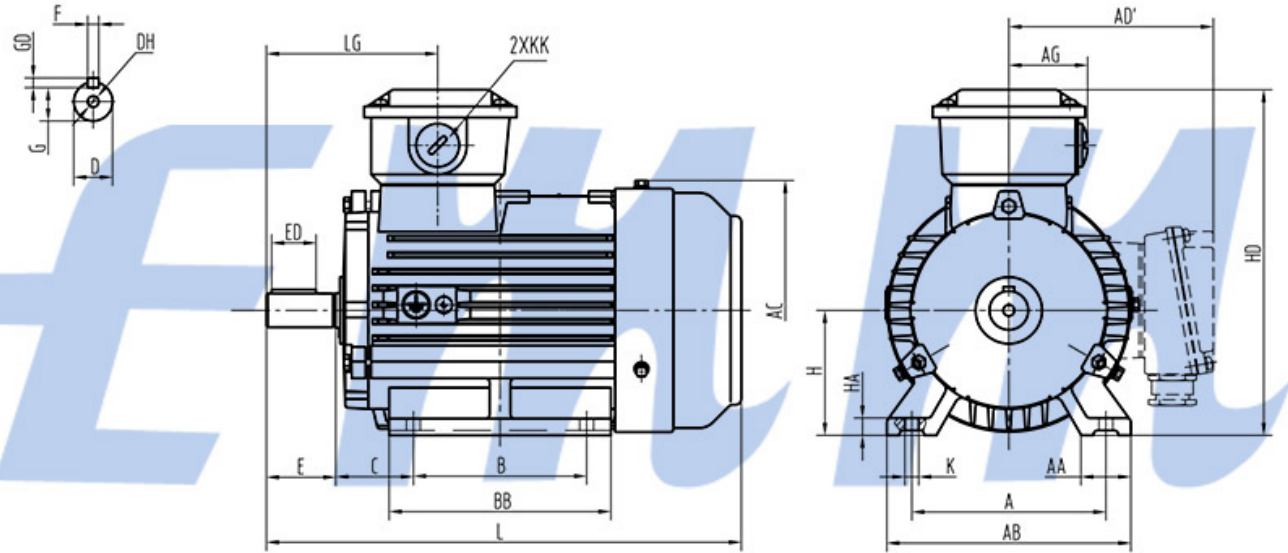


Frequency	50
Pole	2
Output (KW)	75
Output (HP)	100
Speed (rpm)	2930
FLC 380V (A)	138.11
FLC 400V (A)	131.2
FLC 415V (A)	126.46
Locked Rotor Current	7.5
Efficiency	92.7
Power Factor	0.89
Rated Torque (Nm)	244.5
Locked Rotor Torque	2
Breakdown Torque	2.3
Moment of Inertia (kgm ²)	0.6987
Noise (dbA)	94
Weight (Kg)	530



Dimension *All dimensions in mm

Mounting Type: B3

B3 Foot Mounting						Shaft				General					
H	A	B	BB	C	K	D	E	F	G	AB	AD	HD	AC	L	KK
280	457	368/419	459	190	Φ24	Φ65	140	18	58	560	395	675	Φ559	984/1035	2-M50X1.5