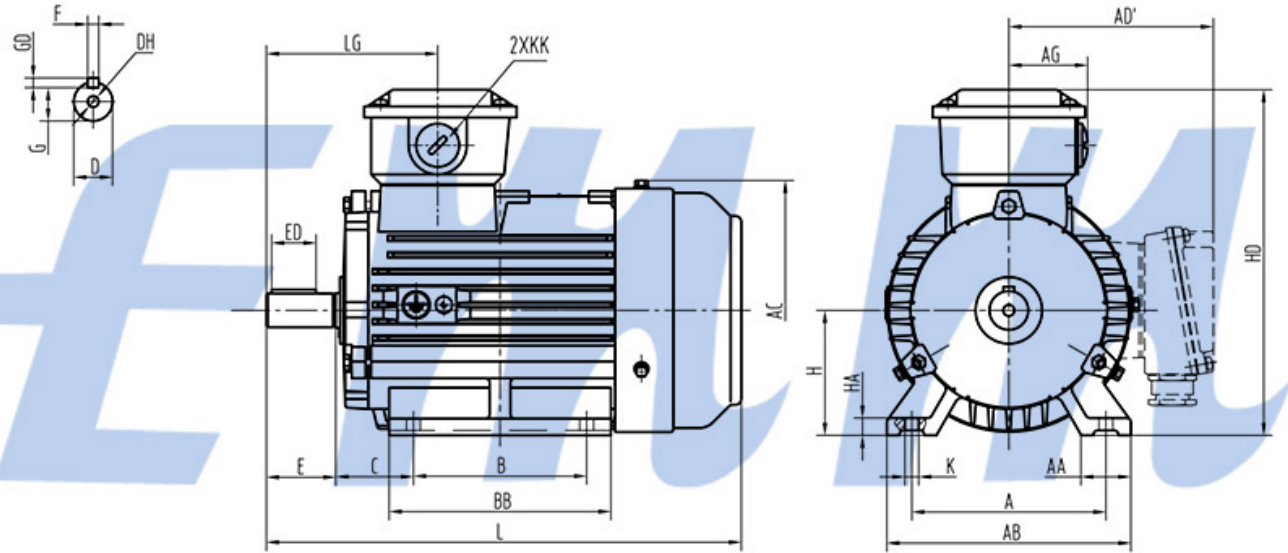


Frequency	50
Pole	2
Output (KW)	45
Output (HP)	60
Speed (rpm)	2930
FLC 380V (A)	82.84
FLC 400V (A)	78.7
FLC 415V (A)	75.86
Locked Rotor Current	7.5
Efficiency	91.7
Power Factor	0.9
Rated Torque (Nm)	146.7
Locked Rotor Torque	2
Breakdown Torque	2.3
Moment of Inertia (kgm ²)	0.2418
Noise (dbA)	92
Weight (Kg)	303



Dimension *All dimensions in mm

Mounting Type: B3

B3 Foot Mounting						Shaft				General					
H	A	B	BB	C	K	D	E	F	G	AB	AD	HD	AC	L	KK
225	356	311	386	149	Φ19	Φ55	110	16	49	440	333	558	Φ459	805	2-M50X1.5